

Review

Long Distance Power Transfer Technique: A Review

Anurag Dwivedi, Pooja Rajbhar and Nitesh Tiwari

Department of Electrical Engineering KIPM - CET, GIDA, Gorakhpur India

Article history

Received: 30-04-2019

Revised: 08-05-2019

Accepted: 14-05-2019

Corresponding Author:
Anurag Dwivedi
Department of Electrical
Engineering KIPM - CET,
GIDA, Gorakhpur India
Email: anurag.srmcem007@gmail.com

Abstract: In this study WPT is reviewed in which electricity can be sent over long distances by without wire magnetic resonance echo frequency via some capacitance WiTricity in a coupled resonant exchange of goods takes place the least objects in it to stream the energy highly resonant occurs in earlier ear wireless power transmission was not possible our sun conducts energy in the form of radiation into the air with the help of unwired we can perform a 100% act by the solar cell which also we called wireless power transmission. This paper is focused on the vigorous beam forming issues for the multi-radio wire remote telecom framework with synchronous data and power transmission under the supposition of flawed station state data at the transmitter following the most pessimistic scenario deterministic model our goal is to amplify the most pessimistic scenario collected vitality for the vitality recipient while that the rate for the data collector is over an edge for all conceivable channel acknowledge.

Keywords: Microwave Magnetic Coupling, Microwave Power Transmission (MPT) System, Laser Beam Transfer, Solar Power Satellites, Wireless Power Transmission (WPT), Highly Resonant WPT

Introduction

The wireless power transmission is used in a history which was the new microwave technical developed by the first world war a microwave driven helicopter was at nation level famous by television. The attempt to start these techniques in 1964 and temporarily these techniques were started by scientific engineers Communities and the public on a regular basis to his wireless power transmission (Fengyuan *et al.*, 2011). The wireless power transmission is driven by the current invention to it and better this carries the power supply by wireless (Bhardwaj, 2015a). It is given the power supply in every means like a power to kill control in wireless power feeder the control circuit that the feeder kale may be given to the power need a wireless electrical system (Bhardwaj, 2015b). That consist of at least one source electrical magnetic energy cluster head election mechanism using fuzzy logic in a wireless sensor (Chung *et al.*, 2008). There are few refractive absorptions that do something at the bottom of 10MHz who gives immense result in wireless power transmission (Nikoletseas *et al.*, 2015). The device has more than one charge panel and more than one power is used it has two main standards which help to develop the ability of new electrical relocation which influences the specification energy source (Makaa *et al.*, 015). It has the set of transmission device

which ultrasound transducer and is formed in the table of an ultrasound transducer. It is formed an ultrasound transducer different transducer are kept in a set during the current study the power generation of the beam has been used in wireless power transmission the matter of interest of in it was started from the 20th century itself (He, 2007). In view of the difference between the region and its technology from the beginning of the 20th century (Manish and Anil, 2017). It is in modern times the discovery of the transmission through the magnetic field wireless power transmission mechanism is the first power transformed (Bhardwaj and Bansal, 2015). One AC signal marks another power the AC generated for converting the unit to the high and first class of frequency the wireless power to the space to operate AC signal preserves the wireless power to frequency (Bhardwaj *et al.*, 2015). An instrument has seen progress in low power technologies which help to enable technology of electro small lightweight and high-performance device of wireless communication in power distribution system is used by assembling a primary circuit in an adaptable manner. And the other circuit provides power by delivering animation energy (Bhardwaj and Singh, 2015). All circuit is used to detect the device of a frequency adjust to the device new log running in technology development has been narrowed but the big technical has been made present (Han *et al.*,

2016). It has also reported about more than 40AJT telegraph rays for the site is being inferred redirected from site transmission zone. It has been modified from site 5 to 8 GHz interpreters redirected control in it (Han *et al.*, 2016). A communication channel is opened in between the wireless power source primary power is used to charge its battery the double frequency printing in it has whimsy been used retina (Nikoletseas *et al.*, 2016). Essentially the dispatching coil is formed from 20 cm to 20 cm in jugate the power distribution system. This is a spiral formed a shaped coil its geometry is conducive to ensure the distribution of the magnetic field. This without changing the supply of the power of one good to a coil of the coil the transmission kyle and gives a complete guarantee that its test is pure (Conti and Passarella, 2009). It has 6cm to 8cm and the test of the amplifier it has 4 loads and rectifier the maximum power supply in it the efficiency of 11.8 W. In the 20th century wireless power was introduced by that it continues to be the subject of the invention for people history describes how wireless power transmission was started with Nicola Tesla (Ok *et al.*, 2009). The use of microwave waves and beaming power is discovered in near and areas this technology is checked in between both in modern times (Azzi *et al.*, 2010). It becomes clear that the wireless power gains the power as magnifying links to command in the medium of implantable IC it transmits 433 MHz on than FSK transmitter to do aggressive data. It is used as a 10 times break of IC 13.5MW containing plate chip a table is used in data reduction plate sticking 4.7 times, 5.9 MM 40.5P. It's a different part of a wireless power transmission system as an inductive charging system or inductive coupling wireless network power Fig. 1 for wireless power transmission is given below (Sazonov and Neuman, 2014).

Methodology

Remote power transmission is utilized in history which was the new microwave specialized created by the main world war (Dombi, 1982). A microwave driven helicopter was at national dimension acclaimed by TV the endeavor to begin these strategies in 1964. And briefly, these systems were begun by logical specialists network and open at the standard premise to this remote power transmission (IEEE Std. C37.113, 1999). The remote power transmission is driven by the present development to it and better this conveys the power supply by remote (Aurangzeb *et al.*, 2000). It is given the power supply in each means it utilizes various methods like a capacity to kill control in remote power feeder the control circuit that the feeder kale might be given to the power need (Khorashadi-Zadeh and Sanaye-Pasand, 2006). A remote electrical framework that

comprises of no less than one source electric attractive energy for the remote power transmission at 2.45 and 5.8 GHz flow. Contemplates in remote power transmission into natural tissue will in general work beneath 10 MHz because of tissues assimilation misfortune (Hoffman, 2017). Which results in substantial get radio wires a framework for remote influence transmission may incorporate at least one charging boards and at least one controlled gadgets (Ibrahim *et al.*, 2016). Moreover, there is an interest in growing new influence exchange proficiency are two key parameters in remote connections. Which influence the vitality source determination heat dissemination influence transmission range and obstruction which another gadget (Erfani *et al.*, 2017a). The transmission gadget has a lot of ultrasound transmission shaping an ultrasound transducer framing an ultrasound transducer set in the XY place arrange to create a pillar. In the Z bearing, remote influence has been a subject of enthusiasm from the contrast between the close field and for field procedures (Erfani *et al.*, 2018). This paper proceeds into present day times investigating the close field transmission of influence by means of the attractive field (Bush, 2014). A remote influence transmitter incorporates a transmit reception apparatus for coupling with a get receiving wire of a collector the remote influence transmission device incorporates a first influence changing over a unit to produce high recurrence AC flags (PCMZD, 2014). A second influence changing over a unit to create low recurrence AC flags. A first curl accepting the higher recurrence AC flag and transmitting remote influence through a first plan, a second loop getting the low recurrence AC flag and transmitting the low recurrence AC flag and transmitting the remote influence (New Scientist).

Essentials of Wireless Power Transmission Microwave Power Transfer

Exchange of intensity by means of microwaves has for some times been the focal point of study and experimentation (Lu and Ki, 2017) in the mid-1900s. Nikola Tesla explored different avenues regarding the transmission of intensity remotely through microwaves his work. In any case, was to a great extent left unimplemented as his analysis were boundlessly comparatively radical. And the innovation did not yet exist to make wireless power transmission by means of microwave practical (Lu and Ki, 2017) advantage in remote advances since Tesla be that as it may have made conceivable that was not in the mid 20th century (Sun *et al.*, 2013a). Portrayed in this area are the subtleties of those innovations behind microwave power transfer as a component for wireless power transmission.

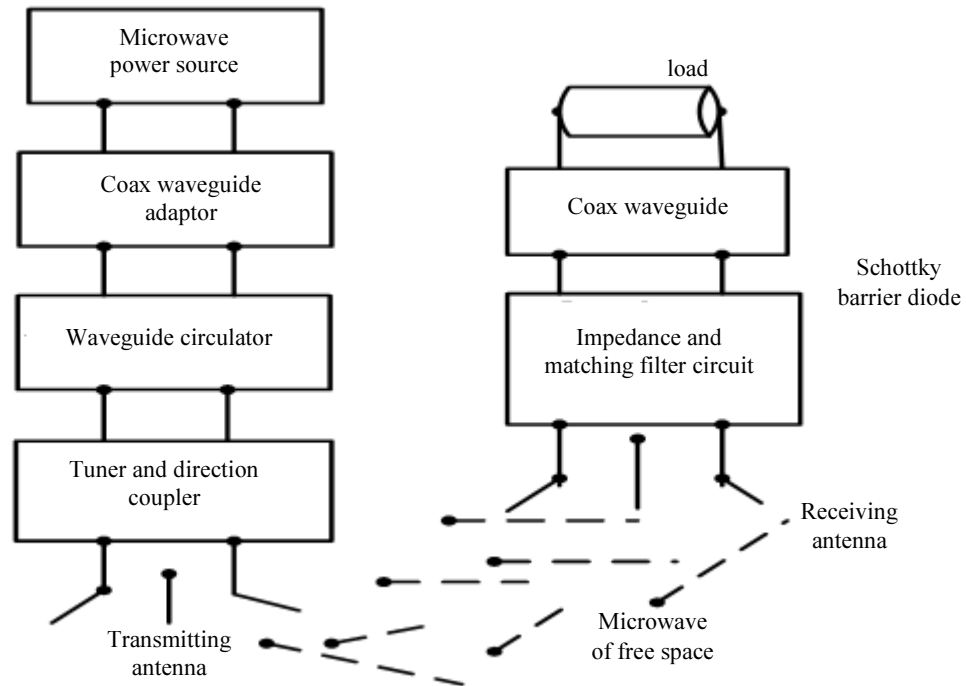


Fig. 1: Block diagram of wireless power transmission

Review of the Framework

As referenced above MPT as an instrument for wireless power transmission is the focal point of this paper. MPT is characterized as the exchange of intensity through space by methods for microwaves specifically an MPT framework change over direct current capacity to microwaves transmits. That microwave radiation to an objective and the objective believes the microwaves radiation back to DC control (Shinohara, 2014; Gopinath, 2013; Lu *et al.*, 2016). Figure 1 underneath delineates a square outline of the MPT framework first the microwave are created by the microwave generator. This radiation at that point goes through the coax waveguide adapted which thusly goes through the waveguide circulator a gadget that decreases. The radiation to a presentation from an outside power, at last, the radiation goes through the tuner and directional coupler gadget. Which isolates the flag as per flag proliferation course the radiation is then transmitted over the air through radio wires where. It is gotten by the receiving wire at the rectenna, at which the microwave radiation goes through a low pass channel at that point a coordinating system at that point a rectifier. It is changed over to DC control (Nikoletseas *et al.*, 2016) the subtleties of the pertinent advances are portrayed in the segment to follow. Strategy with higher recurrence transmission and complete example estimations (Bush, 2014).

Close Field Techniques

The close-field strategies are estimating with machine close from the power source shown in Fig. 2. It tends to be separated into three classifications which are electromagnetic radiation inductive coupling and attractive thunderous coupling. These strategies can be utilized to dispose of an issue because of climate and security concerns (Sun *et al.*, 2013b; Erfani *et al.*, 2017b).

Electromagnetic Radiation (EMR)

Energy from the transmission-reception apparatus of a power source to the collector receiving wire through radioactive. Electromagnetic waves is the procedure of outflow by electromagnetic radiation Omnidirectional radiation and unidirectional radiation, this two are arranged in the feeling of the course of producing vitality through Omnidirectional radiation process broadcasting electromagnetic wave by means of transmitter in an allocated ISM band for instance 850-950 MHz or 902-928 MHz in the U S. Which can be changed with the diverse locale both with 915 MHz focus recurrence and a recipient, for instance, RFID labels tunes to a similar recurrence band to reap radio power (Manish and Anil, 2017) in Omni direction radiation. However data exchange is all the more simple and appropriate yet in addition experiences, a genuine effectiveness issue in vitality exchange, since when the separation is going expansive. There is brisk rot of

electromagnetic waves by the investigation. It was discovered that when a collector is 30 cm far the RF transmitter control exchange proficiency is just 1.5% (Makaa *et al.*, 2015). What's more, to shield potential wellbeing dangers of people from electromagnetic radiation just proper procedure is Omnidirectional radiation for ultra-low control sensor.

Transmitter

Take a PVC pipe and spin a wire on it multiple times subsequent to spinning, a wire around three inches makes a circle for focus terminal and proceed with the procedure presently take transistor 2N2222 and interface, its base terminal to one end of the copper curls the

gatherer terminal to the opposite end of the copper loop and now associate the producer terminal to the negative terminal of AA battery. The middle terminal of the copper loop will be associated with the positive terminal of an AA battery at the point, when the collector loop is put 1 inch above of the transmitter curl at that point the LED will squint. Recipien Make a 15 turn copper loop and associate a light producing diode to its closures (Lu *et al.*, 2016).

Remote Power Transfer Circuit Working

The remote power transmission can be characterized as the vitality can be transmitted from the transmitter to a beneficiary through a swaying attractive field.

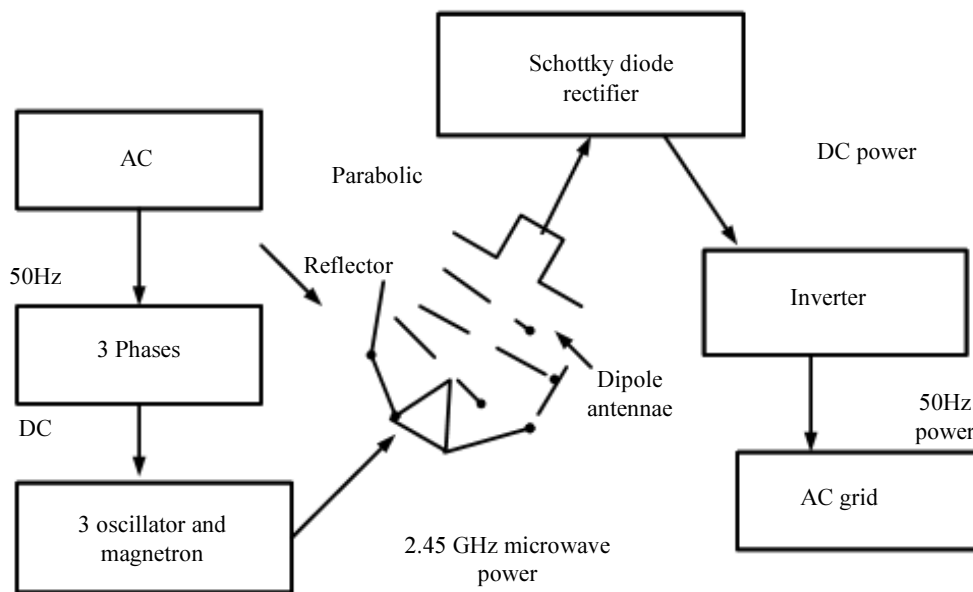


Fig. 2: Close field strategies for long distance power transfer

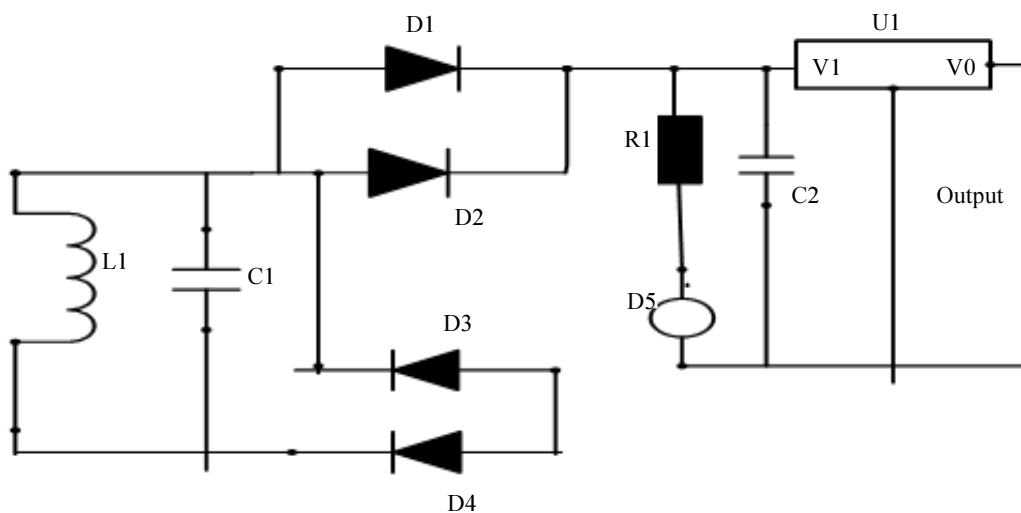


Fig. 3: Remote power transfer circuit

To achieve this control source (DC current) is changed into high recurrence AC by specially structured hardware raised into the transmitter. The AC helps a copper wire curl in the transmitter which creates an attractive field at the point, when the beneficiary loop is put in closeness of the attractive field can make an AC in the accepting curl hardware in the getting loop at that point adjusts the AC once again into DC which winds up working force shown in Fig. 3.

Utilization of Wireless Power Transmission

The fundamental goal of this task is to structure a WPT framework in 3D space and the square graph of this venture is demonstrated below the square outline of the remote power exchange principally work with HF transformer, capacitors, diode, rectifier, inductor loop up with air and light shown in Fig. 3. The individual is compulsory to be worked each year to change a battery this venture is intended to change a battery powered battery remotely, since changing of the battery is beyond the realm of imagination to expect to be illustrated. We are giving a DC fan that goes through remote power (ECN Magazine, 2011).

Remote Power Transfer Circuit

The basics remote power transmission circuit is appeared as follows the required segments of this circuit principally incorporate 20-30 magnet wire a battery 1, transistor (2N2222) and LED the development of this circuit contains a transmitter and a collector.

Advantage and Disadvantage of Wireless Power Transmission

Advantage

its makes gadgets more helpful and in this manner more alluring to buyers by killing the requirement for a control line or battery substitution:

- a) The power disappointment because of short out and blame on links could never exist in transmission
- b) Reduction of E -squander by taking out the need for energy ropes (Ok *et al.*, 2009)
- c) Wireless charging offers no consumption as the hardware are altogether encased far from water or oxygen in the environment (Gopinath, 2013)

Disadvantage:

- a) The capital cost for molecule execution of wireless power transmission appears to be high
- b) Wireless power transmission may cause obstruction with show correspondence framework
- c) Less effectiveness contrasted with customary charging

Application of Wireless Power Transmission:

- a) Moving targets, for example, fuel-free planes, fuel free electric vehicles, moving robots and fuel free rackets
- b) Automatic remote charging for portable robots, cordless apparatuses, and instrument which wipes out complex components and work escalated manual energizing and battery substitution (Azzi *et al.*, 2010)
- c) Another use of wireless power transmission are sun based power satellites, vitality to remote regions communication vitality all inclusive
- d) Wireless power transmission is utilized for ubiquitous power source, RF control versatile rectifying circuits (PARC)

Future Scope Wireless Power Transmission

Power is building a close field remote charging device for purchaser gadgets with the assistance of the higher gathering. A Chinese hardware maker wireless power illustrated this innovation by remote fuelling a 32 inch TV at a separation of 6 feet Delphi automotive is work with wireless power to build up a remote charging framework for electric autos, the historic innovation will empower to car maker to coordinate remote dashing into the plan of cross breed and electric vehicles. There is another standard convention for charging cell phone started by the remote power consortium (Shinohara, 2014).

Conclusion

In the electromagnetic enlistment type remote power transmission the attractive field circulation as per the overall places of the transmit. Loops and power transmission proficiency are imperative. The ideas of remote power transmission offer more noteworthy potential outcomes for transmitting power with immaterial misfortunes in the long run. This could lessen our general public's reliance on batteries. Which are at present substantial and costly, as remote innovation is getting mainstream now a day the request of battery likewise diminishing, for the long-range control transmission power can be sent from the source to collectors, quickly without wires lessening. The cost batteries should be revived or changed in the long run henceforth the requirement for this sort of work conflicts of interest the authors declare no conflicts of interest wireless power transmission with the short long range using an inductive coil.

Acknowledgment

The author would like to express gratitude to their co-author and his team members, for the support, belief, patience, fairness and for the feedback. The author would like to thank him for the opportunities and knowledge that he has given to the author over the year.

Author's Contribution

Anurag Dwivedi: Coordinated the data-analysis, contributed to the writing of the manuscript, designed the research plan and organized the study.

Pooja Rajbhar: Contributed to the writing of the manuscript and coordinated the mouse work.

Er. Nitesh Tiwari: Coordinated the data-analysis, contributed to the writing of the manuscript, designed the research plan and organized the study.

Ethics

Authors should address any ethical issues that may arise after the publication of this manuscript.

References

- Aurangzeb, M., P.A. Crossley and P. Storm, 2000. Issue location on a transmission line using high frequency voyaging waves estimated at a single line end in power building society.
- Azzi, D., V. Kanakaris and D. Ndzi, 2010. Ad-hoc networks energy consumption: A review of the ad hoc routing protocols. *Diary Eng. Technol.*, 3: 162-167. DOI: 10.25103/jestr.031.27
- Bhardwaj, M. and A. Bansal, 2015. Vitality conservation in mobile ad hoc network using energy efficient scheme and magnetic resonance. *Adv. Netw.*, 3: 34-39. DOI: 10.11648/j.net.s.2015030301.15
- Bhardwaj, M. and A. Singh, 2015. Power management of ad hoc routing protocols using mobility impact and magnetic resonance. *Adv. Netw.*, 3: 27-33. DOI: 10.11648/j.net.s.2015030301.14
- Bhardwaj, M., 2015a. Upgrade life time of mobile ad hoc network using WiTriCity and backpressure technique. *Proc. Comput. Sci.*, 57: 1342-1350. DOI: 10.1016/j.procs.2015.07.447
- Bhardwaj, M., 2015b. Determination of efficient relay for energy-efficient cooperative ad hoc networks. *Am. J. Netw. Commun.*, 4: 5-11. DOI: 10.11648/j.ajnc.s.2015040301.12
- Bhardwaj, M., A. Pathak and K.B. Saraswat, 2015. Optimum experimental results of AODV, DSDV and DSR routing protocol in grid environment. *Proceedings of the 3rd International Conference on Recent Trends in Computing, (RTC' 15)*, pp: 1342-1350.
- Bush, S.F., 2014. *Smart Grid: Communication-Enabled Intelligence for the Electric Power Grid*. 1st Edn., John Wiley and Sons, ISBN-10: 1119975808, pp: 570.
- Chung, M.T., J.Y. Han, M.J. Kim and H.S. Park, 2008. CHEF: Cluster Head Election mechanism using Fuzzy logic in Wireless Sensor Networks. *Proceedings of the 10th International Conference on Advanced Communication Technology*, Feb. 17-20, IEEE Xplore Press, Gangwon-Do, South Korea, pp: 654-659. DOI: 10.1109/ICACT.2008.4493846
- Conti, A. and A. Passarella, 2009. Power conservation in wireless sensor networks: A survey. *Specially Appointed Netw.*, 7: 537-568.
- Dombi, J., 1982. Basic ideas for a hypothesis of assessment: The aggregative administrator. *Eur. J. Task Res.*, 10: 282-293. DOI: 10.1016/0377-2217(82)90227-2
- ECN Magazine, 2011. World's first!! Production starts for capacitive coupling wireless power transmission module. *ECN Magazine*.
- Erfani, R., F. Marefat, A.M. Sodagar and P. Mohseni, 2017a. Modeling and experimental validation of a capacitive link for wireless power transfer to biomedical implants. *IEEE Trans. Circ. Syst.*, 65: 923-927. DOI: 10.1109/TCSII.2017.2737140
- Erfani, R., F. Marefat, A.M. Sodagar and P. Mohseni, 2017b. Transcutaneous Capacitive Wireless Power Transfer (C-WPT) for biomedical implants. *Proceedings of the IEEE International Symposium on Circuits and Systems*, May 28-31, IEEE Xplore Press, Baltimore, MD, USA, pp: 2561-2564. DOI: 10.1109/ISCAS.2017.8050940
- Erfani, R., F. Marefat, A.M. Sodagar and P. Mohseni, 2018. Modeling and characterization of capacitive elements with tissue as dielectric material for wireless powering of neural implants. *IEEE Trans. Neural Sys. Rehabil. Eng.* 26: 1093-1099. DOI: 10.1109/TNSRE.2018.2824281
- Fengyuan, R., Z. Jiao, H. Tao, L. Chuang and K.D. Sajal, 2011. EBRP: Energy-Balanced Routing Protocol for data gathering in wireless sensor networks. *IEEE Trans. Parallel Distr. Syst.*, 22: 2108-2125. DOI: 10.1109/TPDS.2011.40
- Gopinath, A., 2013. All about transferring power wirelessly. *Electronics for You E-zine*: 52-56.
- Han, Z., I.D. Kim, X. Lu, D. Niyato and P. Wang, 2016. *Wireless charging technologies: Fundamentals standards and network applications*. *IEEE Commun. Surveys Tutorials*, 18: 1413-1452. DOI: 10.1109/COMST.2015.2499783
- He, L.M., 2007. Delay-minimum Energy-aware Routing Protocol (DERP) for wireless sensor networks. *Proceedings of the IEEE 8th ACIS International Conference on Software Engineering, Artificial Intelligence, Networking and Parallel/Distributed Computing*, Jul. 30-Aug. 1, IEEE Xplore Press, Qingdao, China, pp: 155-160. DOI: 10.1109/SNPD.2007.526

- Hoffman, C., 2017. The pad senses when a phone is on it and turns on the field. The pad uses a small amount of energy when not in use, however in modern wireless systems this "off" power is very small compared to the power used when charging. "How Does Wireless Charging Work?". How-To Geek. How-To Geek LLC.
- Ibrahim, F.N., N.A.M. Jamail and N.A. Othman, 2016. Development of wireless electricity transmission through resonant coupling. Proceedings of the 4th IET Clean Energy and Technology Conference, Nov. 14-15, IEEE Xplore Press, Kuala Lumpur, Malaysia, pp: 1-5. DOI: 10.1049/cp.2016.1290
- IEEE Std. C37.113, 1999. IEEE Power Systems Relaying Committee (PSRC). IEEE Guide for Defensive Relay Applications to Transmission Lines, IEEE Std. C37.113.
- Khorashadi-Zadeh, H. and M. Sanaye-Pasand, 2006. Revision of immersed current transformers auxiliary current utilizing ANNs. IEEE Trans. Power Delivery, 21: 73-79.
DOI: 10.1109/TPWRD.2005.858799
- Lu, X., P. Wang, D. Niyato, D.I. Kim and Z. Han, 2016. Wireless charging technologies: Fundamentals, standards and network applications. IEEE Commun. Surveys Tutorials, 18: 1413-1452.
DOI: 10.1109/COMST.2015.2499783
- Lu, Y. and W.H. Ki, 2017. CMOS Integrated Circuit Design for Wireless Power Transfer. 1st Edn., Springer, Singapore, ISBN-10: 9811026157, pp: 161.
- Makaa, M.B., V.T. Nguyen and C.W. Jung, 2015. Analysis of WPT system using rearranged indirect-fed method for mobile applications. Proceedings of the IEEE Wireless Power Transfer Conference, May 13-15, IEEE Xplore Press, Boulder, CO, USA, pp: 1-4. DOI: 10.1109/WPT.2015.7139144
- Manish, B. and A. Anil, 2017. Reduce energy consumption in ad hoc network with wireless power transfer concept. Int. J. Control Theory Applic., 10: 125-131.
- New Scientist: Wireless charging for electric vehicles hits the road.
- Nikoleteas, S., P.T. Raptis and C. Raptopoulos, 2016. Interactive wireless charging for energy balance. Proceedings of the IEEE 36th International Conference on Distributed Computing Systems, Jun. 27-30, IEEE Xplore Press, Nara, Japan, pp: 262-270. DOI: 10.1109/ICDCS.2016.37
- Nikoleteas, S., T.P. Raptis, A. Souroulagkas and D. Tsolovos, 2015. An experimental evaluation of wireless power transfer protocols in mobile ad hoc networks. Proceedings of the IEEE Wireless Power Transfer Conference, May 13-15, IEEE Xplore Press, Boulder, CO, USA, pp: 1-3.
DOI: 10.1109/WPT.2015.7139128
- Ok, C.S., S. Lee, P. Mitra and S. Kumara, 2009. Distributed power balanced routing for wireless sensor networks. PC Indust. Eng., 57: 125-135. DOI: 10.1016/j.cie.2009.01.013
- PCMZD, 2014. Wireless energy transfer. Encyclopedia of terms. PC Magazine Ziff-Davis.
- Sazonov, E. and M.R. Neuman, 2014. Wearable Sensors: Fundamentals, Implementation and Applications. 1st Edn., Academic Press, ISBN-10: 0124186629, pp: 656.
- Shinohara, N., 2014. Wireless Power Transfer via Radiowaves. 1st Edn., John Wiley and Sons, ISBN-13: 978-1118862964.
- Sun, T., X. Xie and W. Zhihua, 2013a. Wireless Power Transfer for Medical Microsystems. 1st Edn., Springer Science and Business Media, ISBN-13: 978-1461477020.